

# MVP

1 FURROW MOUNTED PLOUGH FOR ON LAND / IN FURROW OPERATIONS WITH  
HYDRAULIC FURROW WIDTH ADJUSTMENT



*Made in Italy  
since 1957*



**MORO**  
**ARATRI** ®

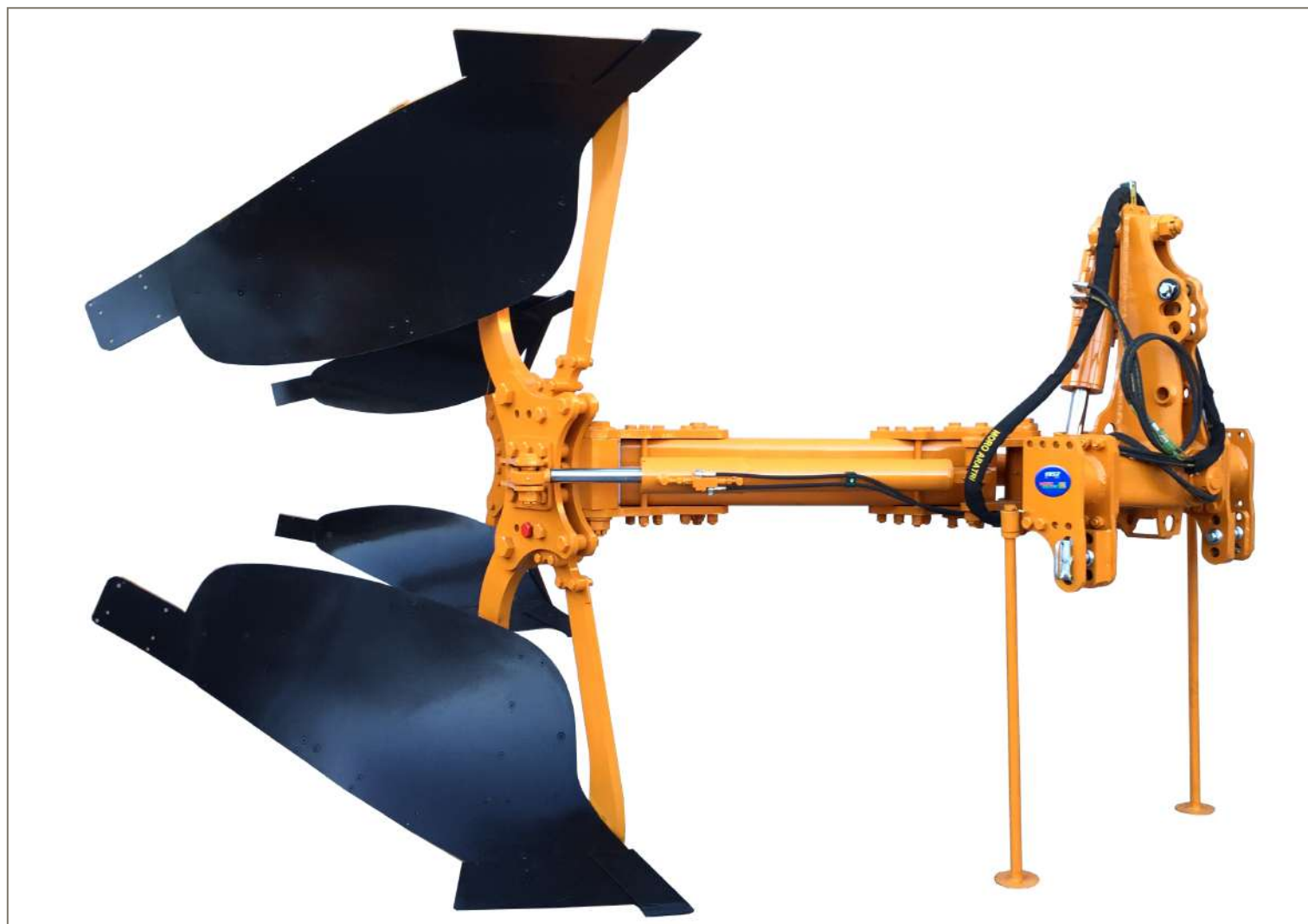


# **MVP**

It is the innovative line of 1 furrow mounted ploughs, equipped with hydraulic working width adjustment. Advanced CAD software is used for design and structural analysis of these machines, with simulated performance and fatigue testing. The chassis of the MVP plough, like all the other structural parts, is made of special steel, with a very high yield load.

# EXTREME VERSION

The MVP extreme version is designed for deep ploughing. Created for reaching the important working depth of 110 cm, and for enduring the most extreme conditions, it can be used both for on land and in furrow operations





## HYDRAULIC WIDTH ADJUSTMENT

Equipped with a unique hydraulic width adjustment, the MVP ploughs allow the operator to determine and set the working width, according to different soil and climatic conditions.

By means of a double acting hydraulic cylinder, it is possible to adjust the working width continuously while working, remaining comfortably seated in the driver's seat.



Using the same hydraulic system which adjusts the furrow width, the plough can be regulated for in furrow or on land operations.

Moreover, a second hydraulic jack allows to adjust the pulling point.

# MOULDBOARDS

## From the model 22A



### STEEL

Boron steel mouldboard extremely wear resistant, for a precise and low power absorption ploughing.  
Various models for a working depth ranging from 50 cm to 110 cm.

( For further information please contact the sales network )



### SYNTHETIC

Plastic mouldboard for wet and sticky soils without stones.  
It allows the soils to flow with less effort.  
Various models for a working depth ranging from 50 cm to 110 cm.

( For further information please contact the sales network )

## REAR BODY

During the in furrow operations, the rear body partially anticipates the working of the main body, turning over a portion of soil in the furrow. The depth is reduced, easing the inclination of the tractor.



# EQUIPMENTS

## From the model 22A



### SHARE

High quality boron steel share, heat treated and wear resistant. MORO shares provide an excellent penetration in any soil and the point can be adjusted.



### FULL KNIFE COULTER

For an excellent vertical cut of the furrow and an enhanced resistance to roots while deep ploughing.



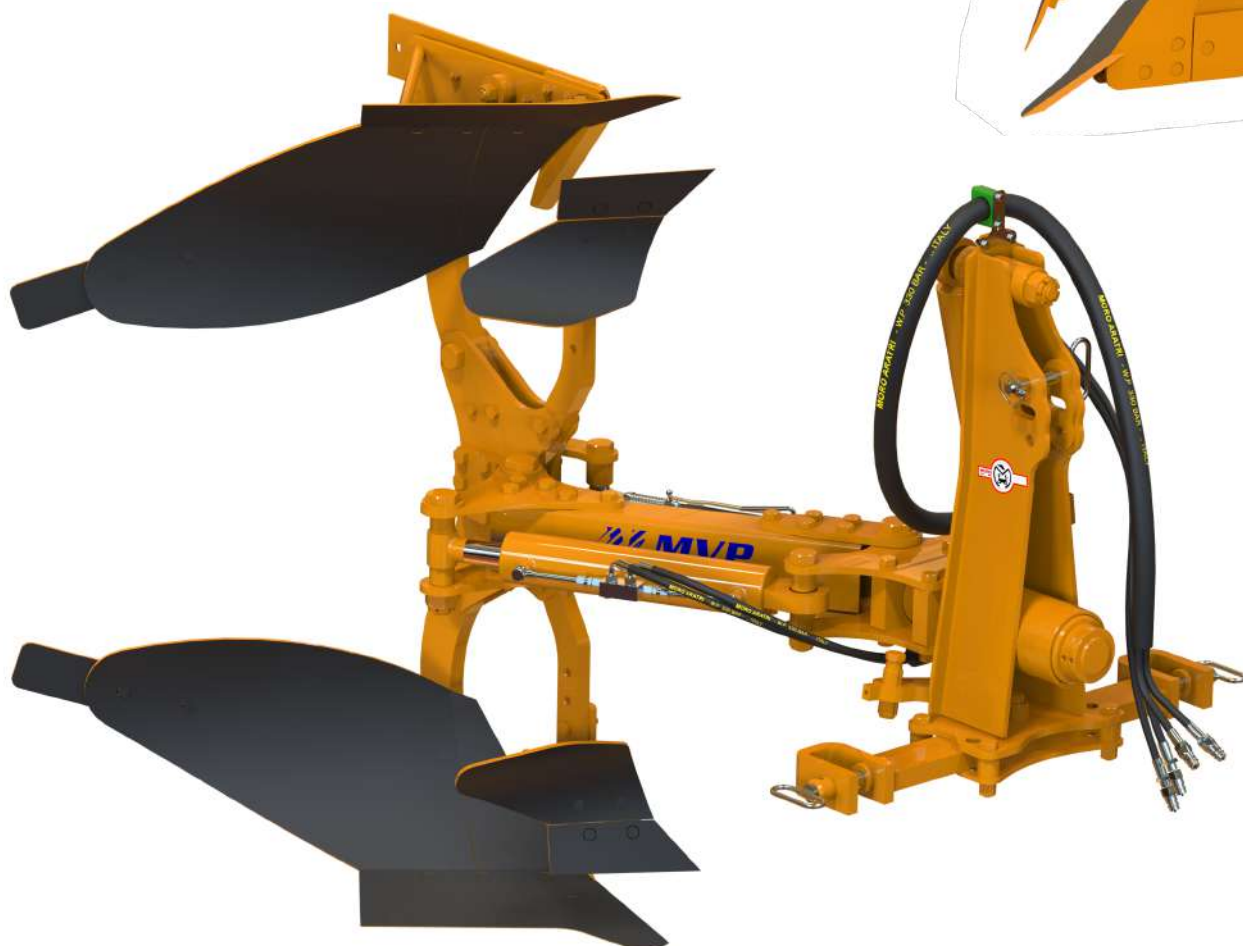
### DETACHABLE COUPLING YOKES HEADSTOCK

Solid headstock. The possibility of changing the coupling yokes with custom versions, allows a functional match with all tractors.

# STANDARD VERSION

The MVP standard version is designed for ploughing until the working depth of 60 cm. Equipped with the hydraulic working width adjustment and with the parallelogram geometry, the MVP has 2 possible configurations .

- In furrow / finishing
- On land / In furrow



# CONFIGURATION 1

IN FURROW



FINISHING



# CONFIGURATION 2

ON LAND



IN FURROW





# MOULDBOARDS

## Until the model 20A



### STEEL

Boron steel mouldboard extremely wear resistant, for a precise and low power absorption ploughing.

Various models for a working depth ranging from 20 cm to 55 cm. Also available in multi layer steel plate.

( For further information please contact the sales network )



### SLATTED

Boron steel slatted mouldboard for sticky soils. Excellent crumbling. Various models for a working depth ranging from 20 cm to 55 cm.

Synthetic version available.

( For further information please contact the sales network )



### SYNTHETIC

Plastic mouldboard for wet and sticky soils without stones. It allows the soils to flow with less effort.

Various models for a working depth ranging from 20 cm to 55 cm.

( For further information please contact the sales network )

### SKIMMERS

Rice field / Maize - Synthetic - Steel



# EQUIPMENTS

## Until model 20A



### SHARES

High quality boron steel shares, heat treated and wear resistant. MORO shares provide an excellent penetration in any soil.

Available with reversible and interchangeable point.



### KNIFE COULTER

Available on all the plough bodies



### STANDARD HEADSTOCK

Each MORO plough is equipped with a hydraulic headstock with a double acting reversing cylinder. Vertical tilt can be adjusted independently via 2 turnbuckles. On request, for the reversing unit it is possible to mount a memory cylinder.



### DETACHABLE COUPLING YOKES HEADSTOCK

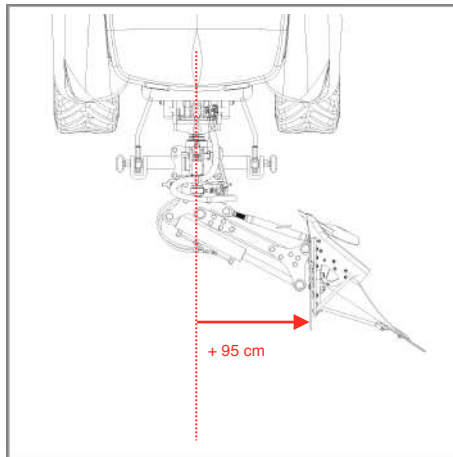
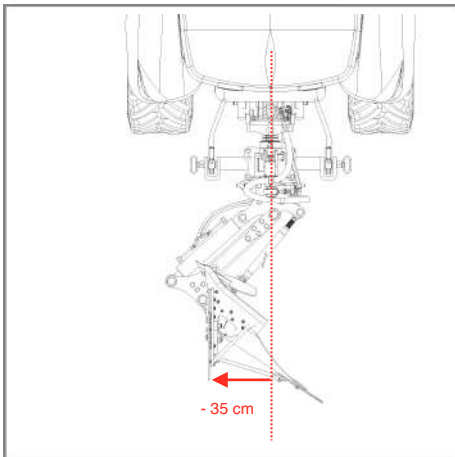
Solid headstock. The possibility of changing the coupling yokes with custom versions, allows a functional match with all tractors.

# TECHNICAL DATA

1 FURROW EXTREME							<b>W1</b>	
MODEL	BODY SPACING cm	OFFSET FROM THE CENTER OF THE LINE OF THE TRACTOR cm	WORKING DEPTH cm	UNDERBEAM CLEREANCE cm	BEAM CROSS SECTION mm	WEIGHT kg	POWER	
							HP	MAX *
MVP 30 A		-100 +150	80-110	129	310x150	2650	400-500	600
MVP 28 A		-100 +150	80-110	120	310x150	2400	300-400	450
MVP 26 A		-100 +150	70-95	112-120	310x150	2250	300-400	450
MVP 24 A		-100 +150	60-80	112	310x150	2100	220-300	330

1 FURROW STANDARD							<b>W1</b>	
MODEL	BODY SPACING cm	OFFSET FROM THE CENTER OF THE LINE OF THE TRACTOR cm	WORKING DEPTH cm	UNDERBEAM CLEREANCE cm	BEAM CROSS SECTION mm	WEIGHT kg	POWER	
							HP	MAX *
MVP 22 A		-80 +120	50-60	95/105	250x150	1400	170-220	260
MVP 20 A		-35 +100	45-55	93,5	200x120	850	135-160	170
MVP 18 AP		-35 +100	45-50	93,5	150x120	750	110-130	140
MVP 18 A		-35 +100	40-50	89	150x120	700	100-110	115
MVP 16 AP		-35 + 95	35-45	89	150x120	650	90-100	105
MVP 16 A		-35 + 95	30-40	84/89	150x120	600	80-90	95
MVP 14 A		-35 + 95	30-40	84	150x120	550	70-80	85
MVP 12 A		-35 + 95	30-35	83	120x120	500	60-70	75
MVP 10 A		-35 +85	25-35	83	120x120	450	50-60	65
MVP 8 A		-35 +85	25-35	74	120x120	410	40-50	55
MVP 6 A		-35 +85	20-30	72,5	120x120	370	35-45	50

## OFFSET EXAMPLE - ON LAND VERSION:



The data indicated in this folder are approximate. The models described here can be subjected to modifications without any notice by the manufacturer. The drawings and photos may refer to equipment that is either optional or intended for other countries. Please apply to our Sales Network for any further information.

**MORO Aratri s.r.l.**

Via Gentile, 209 - 24056 Fontanella (BG)  
-Italy-

[www.moroaratri.com](http://www.moroaratri.com)  
[mail@moroaratri.com](mailto:mail@moroaratri.com)

Telefono: +39 0363 997766  
Fax: +39 0363 907168

